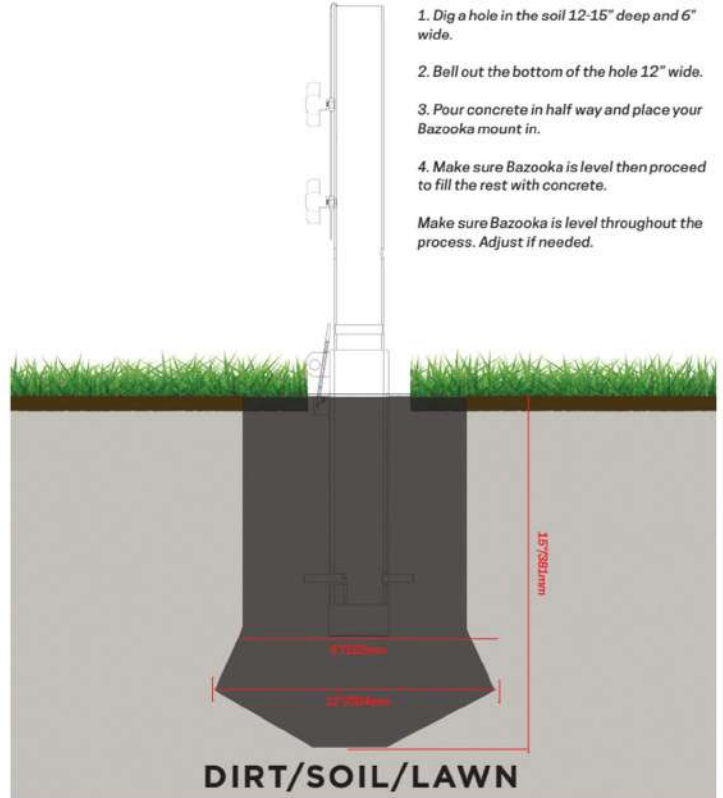
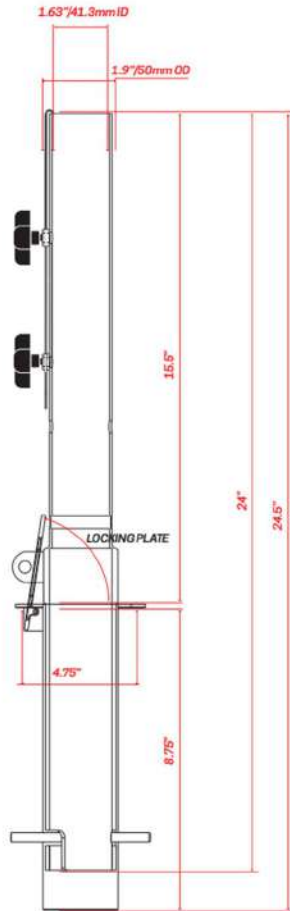


BZ-SM

BAZOOKA IN-GROUND REMOVABLE 1.5" STEM

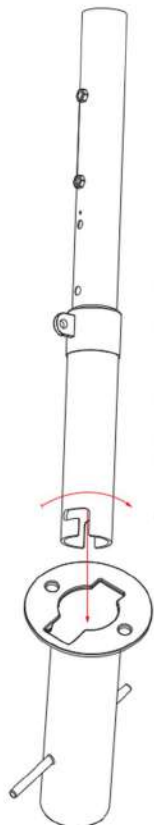
Furniture Leisure
Commercial Site Furnishings
1-800-213-2401 | sales@furnitureleisure.com

FurnitureLeisure.com PoolFurnitureSupply.com
PicnicFurniture.com PicnicTableSupplier.com
ParkTables.com UBrace.com

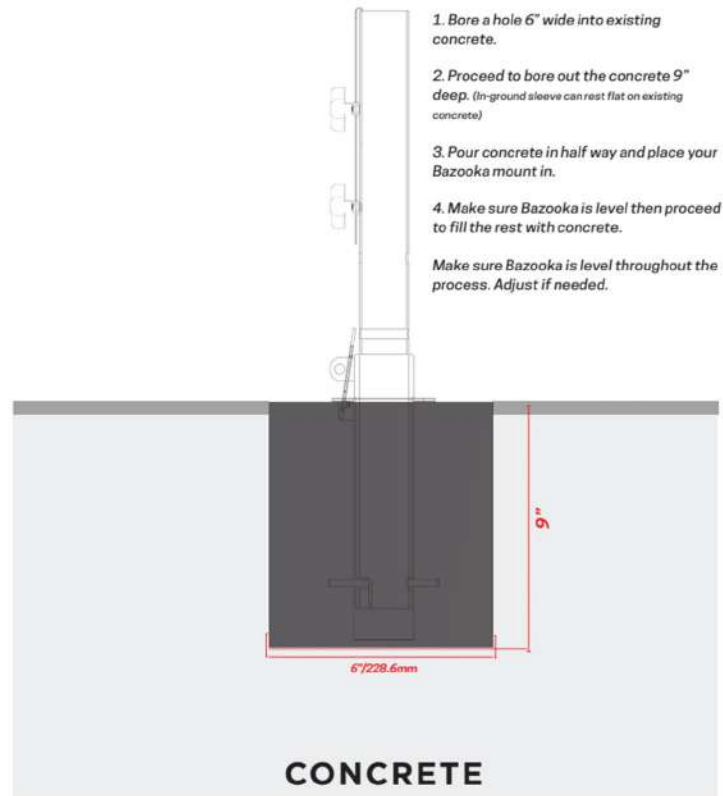


1. Dig a hole in the soil 12-15" deep and 6" wide.
2. Bell out the bottom of the hole 12" wide.
3. Pour concrete in half way and place your Bazooka mount in.
4. Make sure Bazooka is level then proceed to fill the rest with concrete.

Make sure Bazooka is level throughout the process. Adjust if needed.

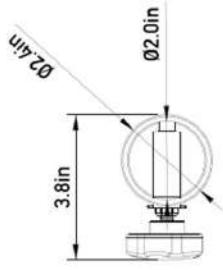
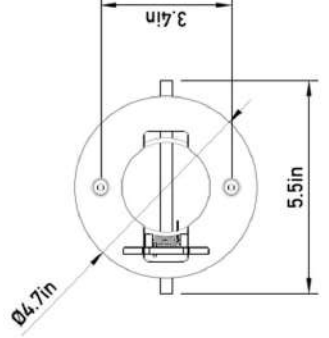
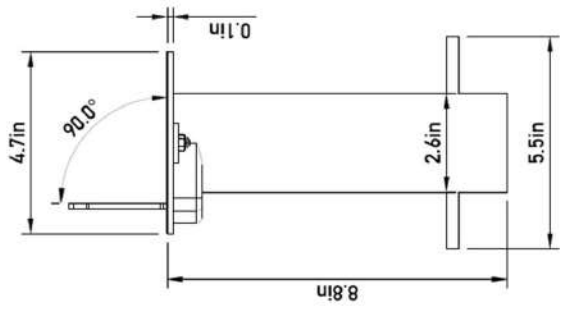
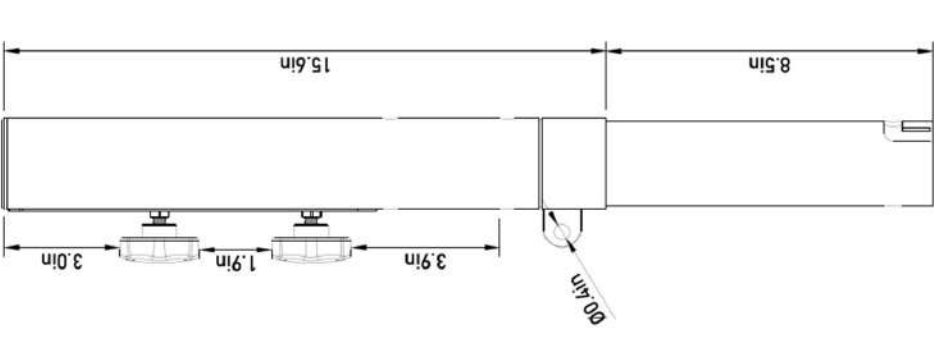
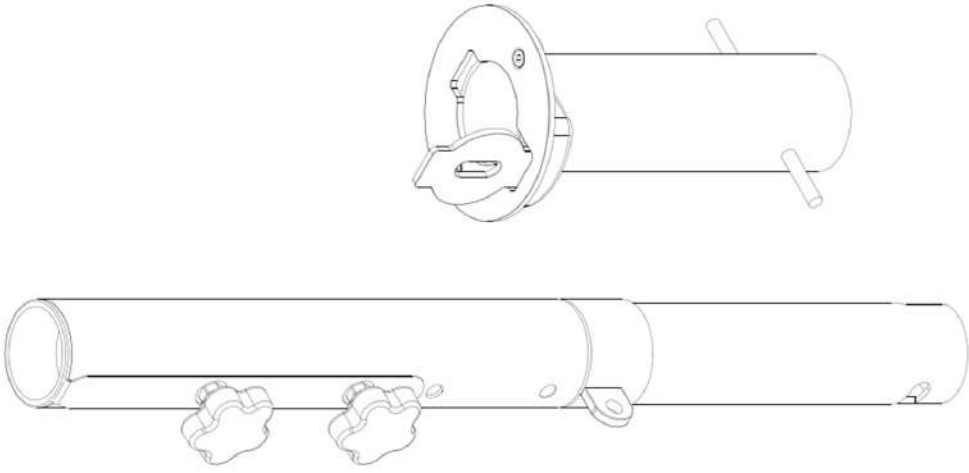


1. Lift Locking Plate on In-Ground barrel.
 2. Place Stem into In-Ground barrel. Turn stem to lock down onto cross bar.
 3. Make sure eyelet on Stem is lined up properly to the Locking Plate. Locking Plate will rest through the eyelet on the Stem.
- You can use a lock of your choice to prevent theft.



1. Bore a hole 6" wide into existing concrete.
2. Proceed to bore out the concrete 9" deep. (In-ground sleeve can rest flat on existing concrete)
3. Pour concrete in half way and place your Bazooka mount in.
4. Make sure Bazooka is level then proceed to fill the rest with concrete.

Make sure Bazooka is level throughout the process. Adjust if needed.



Dept ENGINEERING	Technical reference BZ2-LD	Created by Bill Kenney	Approved by 1:10 SCALE	Document status WORKING	Rev. 	Sheet 1/1
		Line Specs	08/08/22	DWG No. BZ2-SM-L	Date of issue 	
		Title BZ2-SM				
		IN-GROUND 2 OD STEM IG/STEM				

