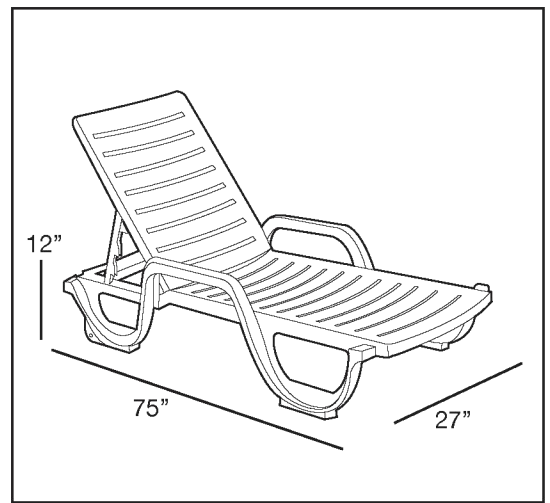




Bahia Stacking Chaise



Product Specifications

Product Description	Reference Number	Color	UPC Code 014306	Weight Each (lbs.)	Master Pack	Master Pack Volume (cu. ft)
Bahia Stacking Chaise **Backrest is Ready to Assemble	44031004	White	702193	29.17	6	52.42
	44031066	Sandstone	610764	29.17	6	52.42
	44031104**	White	139821	27.50	18	93.38
	44031166**	Sandstone	107622	27.50	18	93.38
	US031004	White	702193	35.84	2	29.14
	US031066	Sandstone	610764	35.84	2	29.14

Features & Benefits Warranty: 3 Yrs.

- Passes ASTM F 1988-99 Class B performance standard for commercial outdoor lounging
- Specifically made for commercial use.
- Twice the resistance to U.V. degradation than the ordinary market chaise.
- Reinforced slats and frame for extra support.
- Rated to 300 pounds for resistance to breakage under static load.
- Recessed roll-away wheels for easy mobility and quick storage.
- Stackable; easy to store.
- Built-in safety guard prevents finger injuries caused by accidental fall of the adjustable back.
- Longer sleigh glides to prevent accidental front tilt.
- Rounded edges and 4-position adjustable back.
- Impervious to salt water, chlorine and most common stains.
- A true contract chaise for the professional.



White



Sandstone