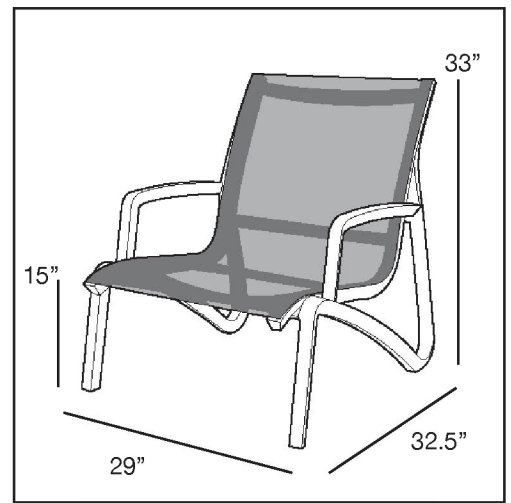




**Pool Furniture Supply**  
Commercial Pool Site Furnishings. Made in the USA

# Sunset Armless Lounge Chair

(arms sold separately)



## Product Specifications

Product Description	Reference Number	Color	UPC Code 014306	Weight Each (lbs.)	Master Pack	Master Pack Volume (cu. ft)
Sunset Armless Lounge Chair (arms sold separately)	US001289	Solid Gray/Plat Gray	924182	31.41	4	3.40
	US001288	Solid Gray/Vol Blk	924151	31.41	4	3.40
	US001096	White/Glacier Wh	924175	31.41	4	3.40
	US001599	Cognac/Fusion Bz	924168	31.41	4	3.40

## Features & Benefits Warranty: 3 Yrs.

- Coordinates with all of the Sunset family – Chaises, Dining and Bar!
- Suitable for Indoor or Outdoor use
- Easily replaceable Textilene sling
- Non-skid footpads
- Aluminum, fiberglass & resin construction
- Aluminum middle legs for added strength
- Arms sold separately
- Available in four color combinations

Give your guests the ultimate in poolside comfort with the Sunset Lounge Chair! Its elegant design is perfect for relaxing post-swim, and the Microban® Textilene fabric dries quickly and retains its good looks with its anti-UV and anti-bacterial properties. Constructed of aluminum, fiberglass and the highest quality resin, the Sunset Armless Lounge Chair is tested to ASTM Class B to ensure safe commercial use.

